



ALEX ORIGINAL A/C ROOFTOP UNITS

The ALEX ORIGINAL Rooftop units characterize themselves by their powerful cooling capacities as well as their distinctive aerodynamic design.

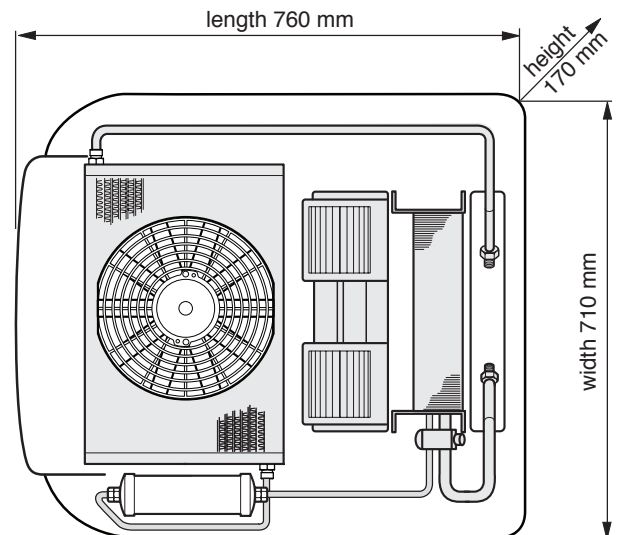
Our high quality product line suits any kind of truck, van, minibus or special vehicle.

Models are available in 12V and 24V. Its design will enhance any vehicle.

The aluminum body is encased by an ultramodern, UV- protected ABS acrylic cover.

The operation is pleasantly quiet, cooling capacity is high, power consumption is low.

Easy and friendly installation.



TA-0910, 12V , 3.5 Kw (Designed for Panel) P.n. 4500-910



TA-0911, 24V , 3.5 Kw (Designed for Panel) P.n. 4500-911



TA-0912, 12V , 3.5 Kw (Designed for Panel) w. Electronic Controller P.n. 4500-912



TA-0913, 24V , 3.5 Kw (Designed for Panel) w. Electronic Controller P.n. 4500-913

Cooling Capacity: 3.5 Kw

Working Voltage: 12V d.c. / 24V d.c.

Power Consumption: 20A-12V / 10A-24V

Airflow: (at Zero Static Pressure):

650 m³/h - 12V / 620 m³/h - 24V

Unit L / W / H : 760 / 710 / 170 mm

Weight: 16Kg

Recommended compressor: Sanden SD7H13

Contact:

Alex Original LTD.

16 Hamelacha St., New industrial

Area, Netanya 4250551

Israel

Tel: 972-9-8855441

Fax: 972-9-8855442

www.alex-original.com

info@alex-original.com